

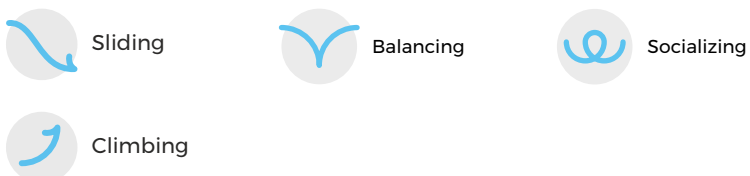


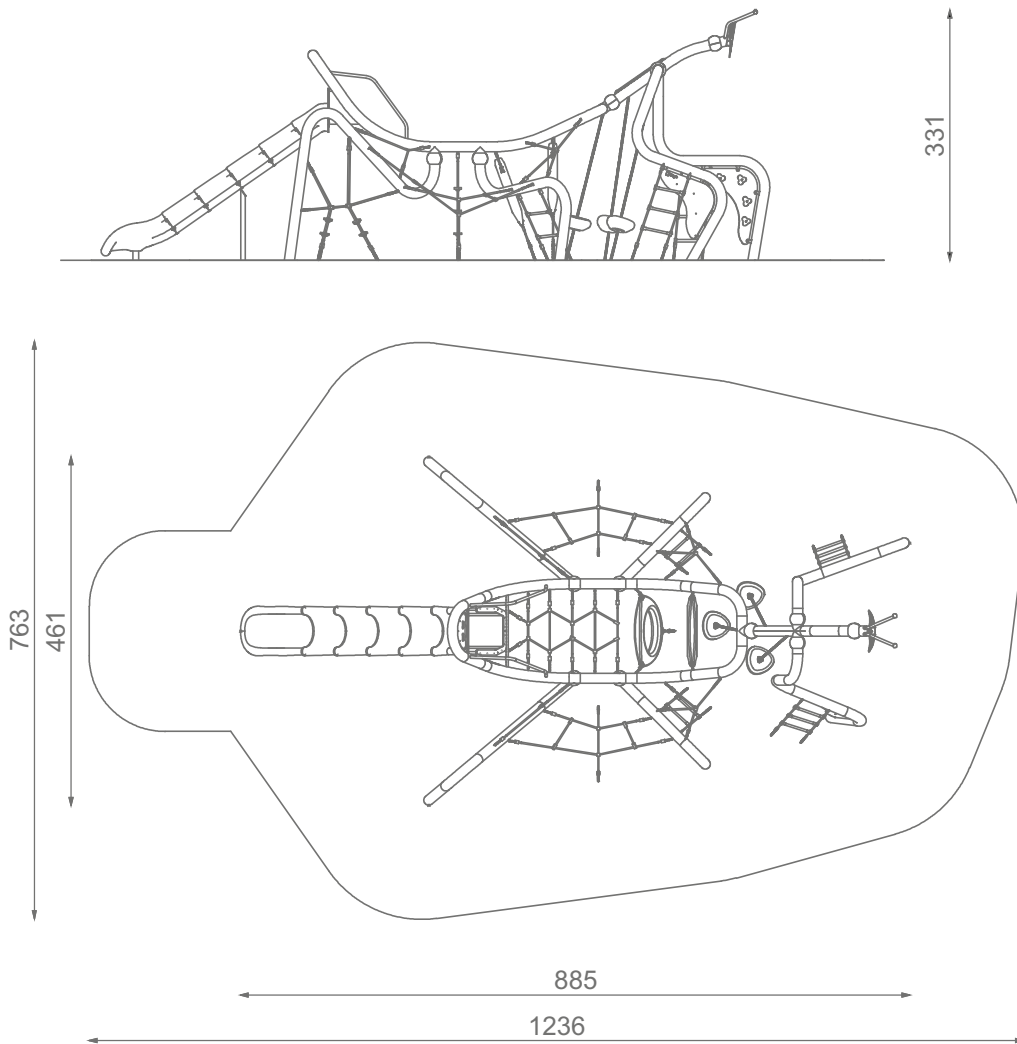
### Information about the product

Dimensions	885 x 461 cm
Safety zone	1236 x 763 cm
Safety zone area	68,6 m <sup>2</sup>
Overall height	331 cm
Free fall height	219 cm
Amount of users	26
Product complies with EN 1176-1:2017-12	Yes
Availability of spare parts	Yes
Age range	3-12

According to EN 1176-1:2017-12 norm, the product requires applying a safety surface according to the product's free fall height.

### Functions





SCALE 1:100

### Materials



Steel construction:  
Ø133 pipes, powder  
galvanized and covered  
in powder coating paint



Slides are made using  
rotomoulding technique using  
LDPE material



Elements:  
HDPE 15 mm



Polypropylene ropes  
pp - multisplit type with  
a steel core and a diameter  
of 16 mm



Modules manufactured of  
rotomoulded polyethylene  
develop prowess and  
coordination

Let's **Buglo**

